



## 6600 Series

Bleed Valves



HOKE 6600 Series bleed valves allow for quick, easy manual bleed-off of system pressure. These valves come in a variety of configurations, including straight, elbow, union, and tee.

### Features

- Compact installation
- 316 stainless steel construction
- Straight, union, elbow or tee flow configurations
- Integral tube ends
- Special High Tolerance NPT Thread

### Benefits

- Safe
- Reliable
- Gyrolok® fitting connections eliminate pipe thread leak paths

### Typical Applications

- Air, hydraulic systems, or natural gas
- Venting or purging of liquids and gases
- For use on instrument manifolds

### Technical Data

Body Material	316 stainless steel
Maximum Operating Pressure	6000 psig @ 70° F (414 bar @ 21° C)
Operating Temperature Range	-40° F to +600° F (-40° C to +316° C)
End Connections	¼", ⅜", ½" Gyrolok®
Average Operating Torque @ Maximum Operating Pressure	40 in-lbs

### Operating Instructions

- Valve is operated by turning the bleed port nut with a wrench. Use appropriate back-up wrench to hold body, while turning bleed nut.
- As the bleed nut is turned, pressure forces the ball off the seat. Pressure is vented through a hole drilled in the nut, angled back toward the body of the valve. Make sure flow is directed away from user.
- Those using the valves should wear protective clothing, especially goggles.
- No attempt should be made to repair or dismantle the valve.

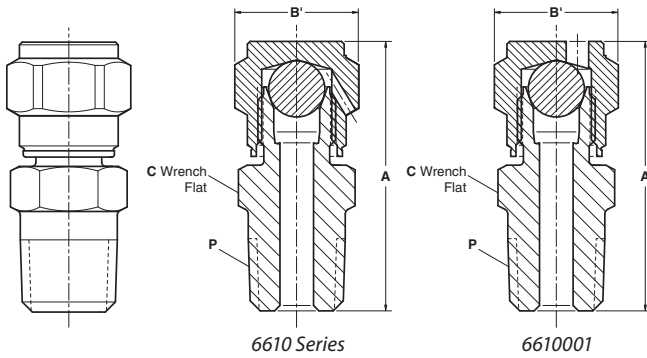
bleed valves

### HOKE Incorporated

405 Centura Court • PO Box 4866 (29305) • Spartanburg, SC 29303  
Phone (864) 574-7966 Fax (864) 587-5608  
www.hoke.com • sales@hoke.com

# 6600 Series

## Dimensions



### 6610 Series: Straight Valve

Part Number	P Thread NPT	A Open	B' Hex	C Wrench Flat
6610M2Y	1/8"	1 3/8 (35mm)	5/8"	1/2"
6610M4Y	1/4"	1 7/32 (39mm)	5/8"	5/16"
6610M6Y	3/8"	1 9/32 (40mm)	5/8"	1 1/16"
6610M8Y	1/2"	1 3/16 (46mm)	5/8"	7/8"
6610001	1/4"	1 7/32 (39mm)	5/8"	5/16"

## 6631 Series Directed Bleed Valves

HOKE's 6631 Bleed Valve allows the user to direct the bled fluid as desired. The valve can be ordered with a 1 1/2" (38mm) press fit handle by adding an "H" suffix to the valve part number (e.g., 6631H4YH). To operate, simply turn the 7/16" nut with a wrench or the optional loose fit stainless steel bar handle, part number 96706-103. Please consult your local distributor for details.

*Caution: If the vented fluids are not going to be contained, the vent tube must be positioned at installation so that it is directed away from the operating personnel.*

### Technical Data

<b>Body Material</b>	316 stainless steel
<b>Maximum Operating Pressure</b>	5000 psig @ 70° F (345 bar @ 21° C)
<b>Operating Temperature Range</b>	-20° F to +425° F (-29° C to +218° C)
<b>Orifice</b>	0.125 (3.2mm)

### Benefits

#### Safety

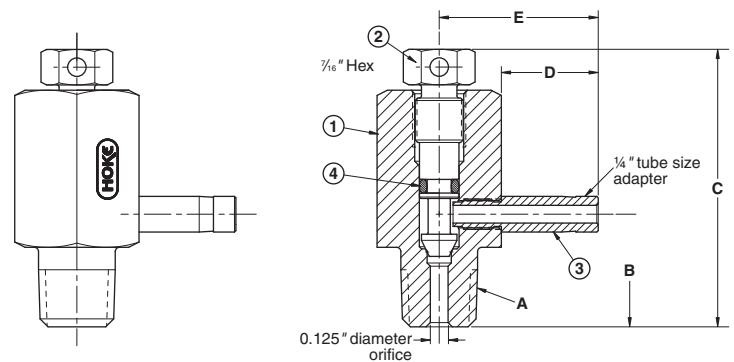
- O-ring packaging prevents leakage through stem threads

#### Reliability

- All valves are tested for bubble-tight leakage

### Typical Applications

- Venting or purging of liquids and gases
- For use on gauge valves



### Dimension Chart

Part Number	A Inlet	B	C	D	E
6631H4Y	1/4"	3/4 (19mm)	2 (51mm)	1 1/16 (17mm)	1 3/16" (30.5mm)
6631H84Y	1/2"	2 3/32 (23mm)	2 1/2 (54mm)	1 1/16 (17mm)	1 3/16" (30.5mm)

### Materials of Construction

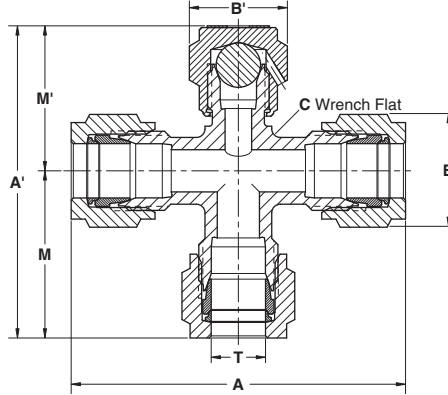
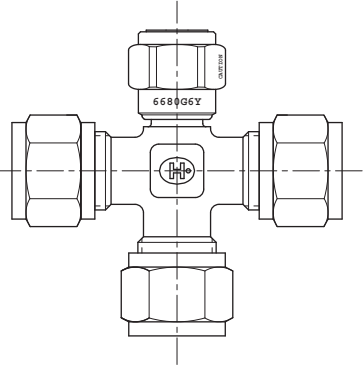
Part	Material
1 Body	316 stainless steel
2 Stem	316 stainless steel
3 Vent tube	316 stainless steel
4 O-ring	Fluoroelastomer

Gyrolok® is a registered trademark of HOKE Incorporated.

Dimensions for reference only and are subject to change without notice.

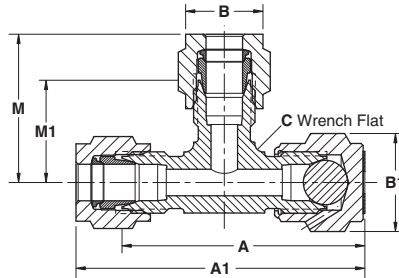
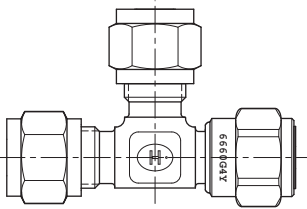
# 6600 Series

## Dimensions



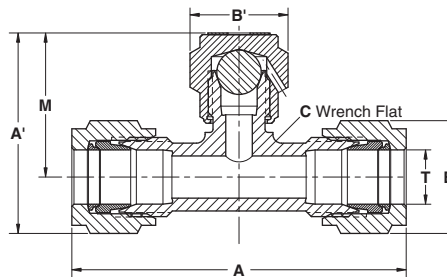
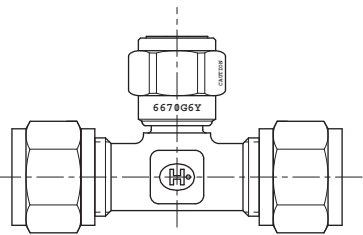
### 6680 Series: Tee Valve

Part Number	T Tube O.D.	A	A'	B Hex	B' Hex	C Wrench Flat	M	M'
6680G4Y	1/4"	2 3/4 (54mm)	2 3/4 (53mm)	9/16"	5/8"	7/16"	1 1/16 (27mm)	1 1/4 (27mm)
6680G6Y	3/8"	2 3/4 (60mm)	2 13/64 (52mm)	1 1/16"	5/8"	1/2"	2 3/16 (56mm)	1 1/4 (27mm)
6680G8Y	1/2"	2 5/4 (73mm)	2 1 3/64 (68mm)	7/8"	5/8"	1 1/16"	1 2 3/4 (37mm)	1 7/8 (31mm)



### 6660 Series: Elbow Valve

Part Number	T Tube O.D.	A	A'	B Hex	B' Hex	C Wrench Flat	M	M'
6660G4Y	1/4"	1 2 3/32 (45mm)	2 3/4 (52mm)	9/16"	5/8"	7/16"	1 3/4 (27mm)	2 3/32 (18mm)



### 6670 Series: Union Valve

Part Number	T Tube O.D.	A	A'	B Hex	B' Hex	C Wrench Flat	M
6670G4Y	1/4"	2 3/32 (53mm)	1 2 3/64 (35mm)	9/16"	5/8"	7/16"	1 3/4 (27mm)
6670G6Y	3/8"	2 3/4 (59mm)	1 7/16 (37mm)	1 1/16"	5/8"	1/2"	1 3/32 (28mm)
6670G8Y	1/2"	2 5/4 (73mm)	1 2 1/32 (42mm)	7/8"	5/8"	1 1/16"	1 3/2 (31mm)